



## HS-UFB



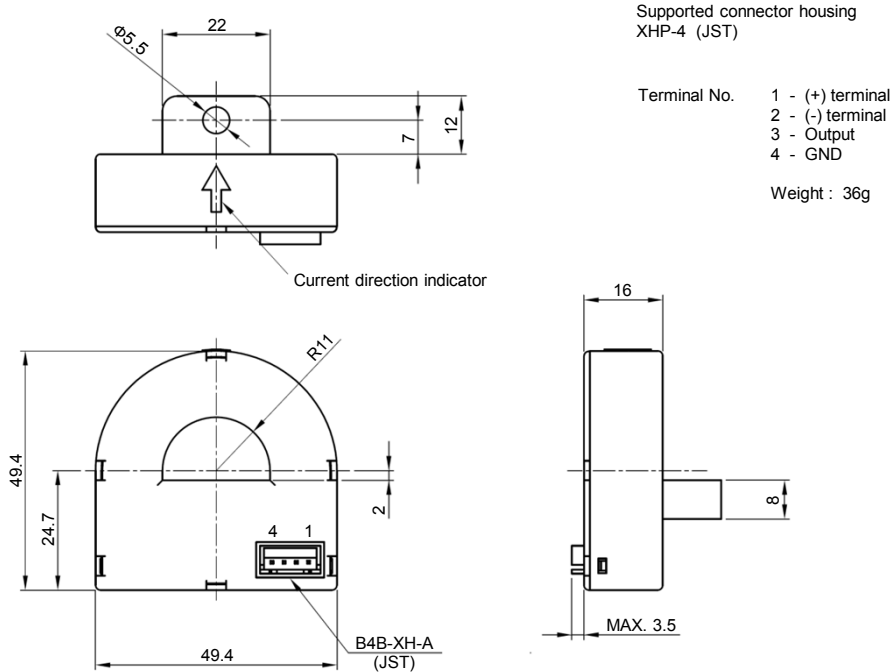
- Rated current 100A ~ 300A
- Superior in response, linearity and temperature characteristics
- Both the voltage output and the current output were prepared

### Applications

Inverters, Servo drivers, Power supply equipment, NC machine tools

## Dimensions

(mm)



### Specification

Ta=25°C

Type	Voltage output type			Current output type		
	HS-UFB100V4B15	HS-UFB200V4B15	HS-UFB300V4B15	HS-UFB100A0025B15	HS-UFB200A005B15	HS-UFB300A0075B15
Rated current [ If ]	±100A	±200A	±300A	±100A	±200A	±300A
Continuously flowing DC current	±100A	±200A	±230A	±100A	±200A	±230A
Saturation current [ Is ]	±300A	±600A	±750A	±300A (RL=90Ω)	±600A (RL=5Ω)	±750A (RL=5Ω)
Linearity limits	0~±250A	0~±500A	0~±700A	0~±250A (RL=5~90Ω)	0~±500A (RL=5~20Ω)	0~±700A (RL=5Ω)
Rated output [ Vh, Ih ]	V0±4V±1% (RL=10kΩ)			I0±25mA±1%	I0±50mA±1%	I0±75mA±1%
Residual output [ V0, I0 ]	Within ±20mV			Within ±0.2mA		
Output linearity	Within ±0.3%					
Second coil resistance	Approx. 53Ω					
Response time	Within 1μs (at di/dt=100A/μs)					
Response performance	Within 10%					
Hysteresis voltage range	Within 20mV			Within 0.2mA		
Output Temp. Coef.	Within ±0.02%/°C					
Residual output Temp. Coef.	Within ±1mV/°C			Within ±0.01mA/°C		
Control power supply	±15V±5%					
Consumption current	20mA+(Input current/4000)					
Operating Temp.	-15°C~+80°C					
Storage Temp.	-25°C~+85°C					
Dielectric withstand voltage	2500V AC 50/60Hz 1minute					
Insulation resistance	Not less than 500MΩ 500V DC					

Note1) The indicated residual output is the one after the core hysteresis is removed.

Note2) Energization time of saturation current shall be within 1 second.

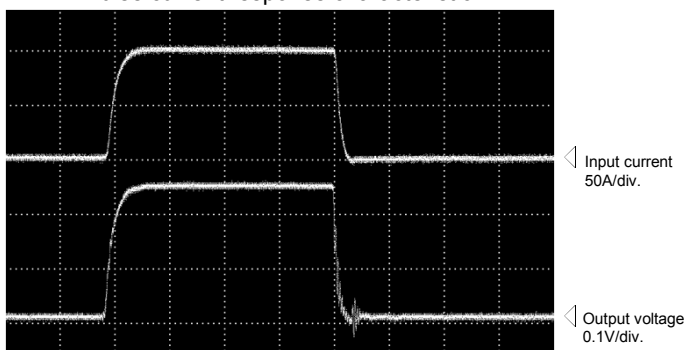
Note3) Energization time of continuous live DC current x150% shall be within 1 minute.

### Characteristics chart

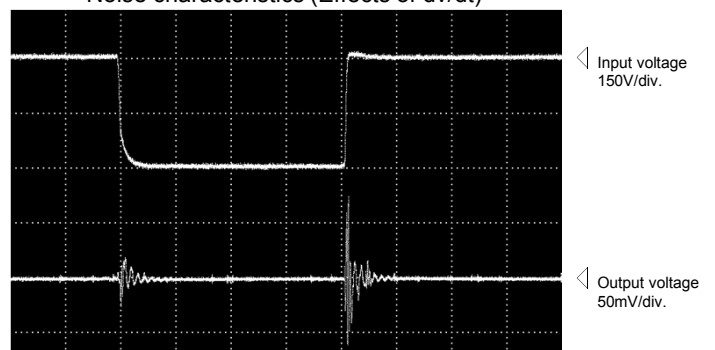
HS-UFB200A005B15 (RL=10Ω)

Time base: 5μs/div.

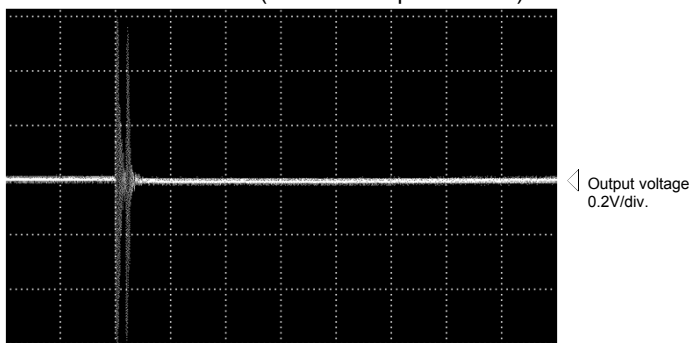
Pulse current response characteristic



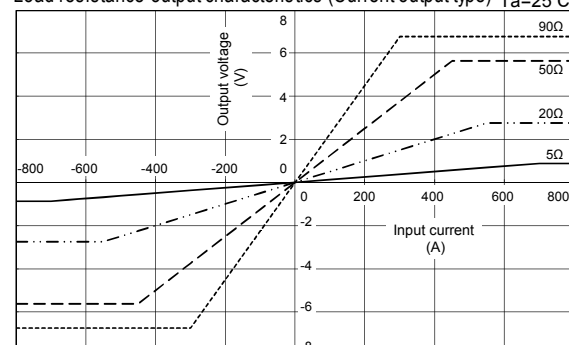
Noise characteristics (Effects of dv/dt)



Noise characteristics (Effects of impulse noise)



Load resistance-output characteristics (Current output type) Ta=25°C



Note: The marks "◁" means 0V or 0A.