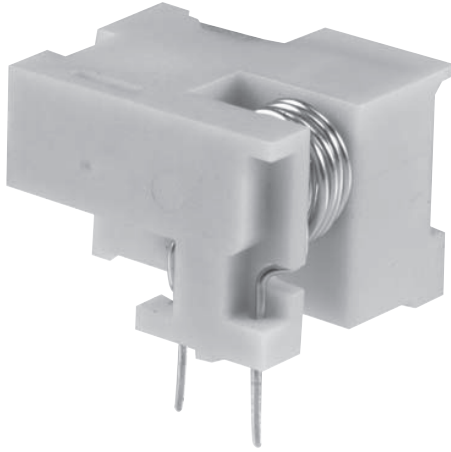


HC-PRA



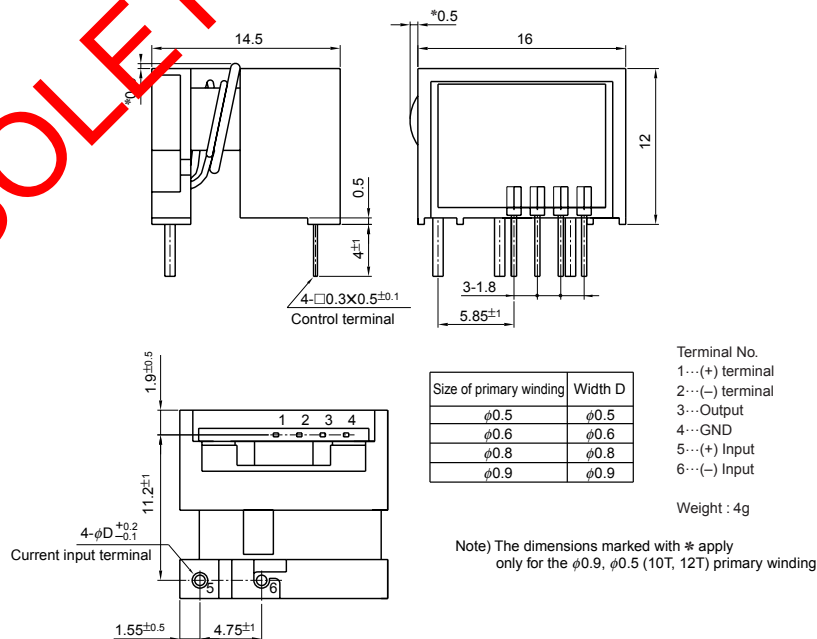
- Well isolated for European Standards
- Rated current 3A ~ 20A
- Compact design : height has been kept down to 12.0mm
- Single-power supplies also available

Applications

Inverters, servo drivers, NC machine tools

Dimensions

(mm)



Specification

Ta=25°C

Type	HC-PRA03V4B15U	HC-PRA05V4B15U	HC-PRA10V4B15U	HC-PRA20V4B15U
Rated current [If]	±3A	±5A	±10A	±20A
Saturation current [Is]	±9A	±15A	±30A	±45A
Linearity limits	0~±7.5A	0~±12.5A	0~±25A	0~±37.5A
Size of primary winding	φ0.5	φ0.5	φ0.8	φ0.8
Turns	10	6	3	2
Rated output [Vh]	±4V±1.5% (RL=10kΩ)(including the residual output)			
Residual output [Vo]	Within ±100mV			
Output linearity	Within ±1%			
Response time	Within 10μs (at di/dt=1f/μs)			
Response performance	Within 10%			
Hysteresis voltage range	Within 120mV			
Output Temp. Coef.	Within ±0.1%/°C			
Residual output Temp. Coef.	Within ±5mV/°C			
Control power supply	±15V±5%			
Consumption current	Within 20mA			
Operating Temp.	-10°C~+80°C			
Storage Temp.	-15°C~+85°C			
Dielectric withstand voltage	2500V AC 50/60Hz 1minute			
Insulation resistance	Not less than 500MΩ 500V DC			

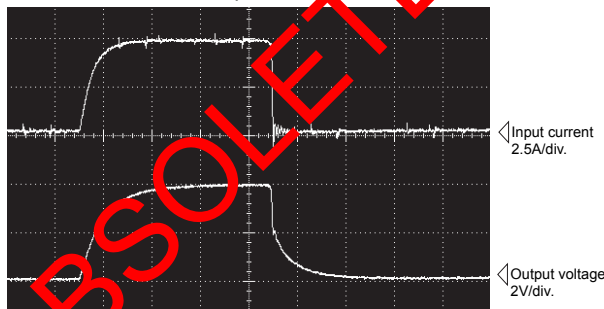
Note1) The indicated residual voltage is the one after the hysteresis is removed.

Note2) For continuously flowing DC currents, see the principal characteristics marked by an asterisk (*) on page 1-5.

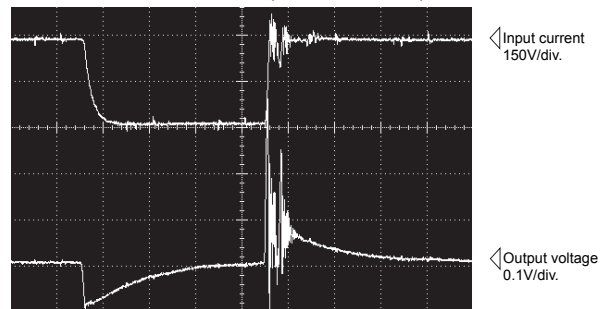
Characteristics chart

HC-PRA05V4B15U

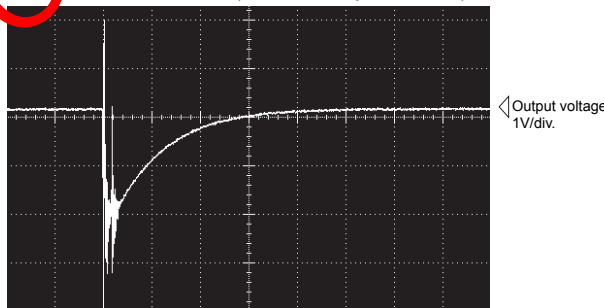
Pulse current response characteristic



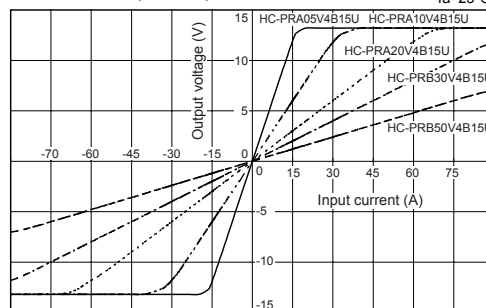
Noise characteristics (Effects of dv/dt)



Noise characteristics (Effects of impulse noise)



Input/output characteristics



Note : The mark "◁" means 0V or 0A.