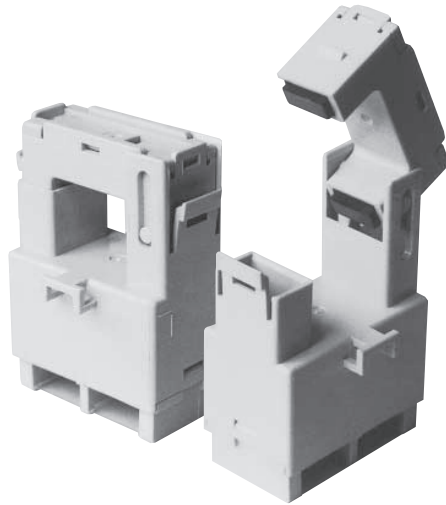


HA-BR



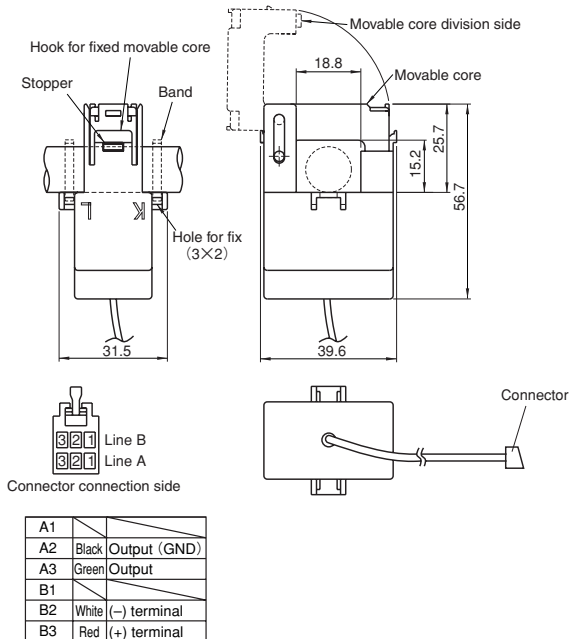
- Rated primary current ……50A ~ 100A
- Simple mounting for exiting panel which is clamp type
- Internal output protection circuit
- True actual effective value output circuit built in realizing highly precise measurement with wide input waveform
- Conventional CT + transducer may be replaced by one unit of this product.

Applications

Energy measurement unit, Exchange current measurement system

Dimensions

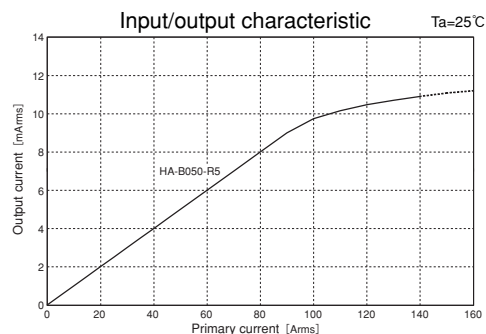
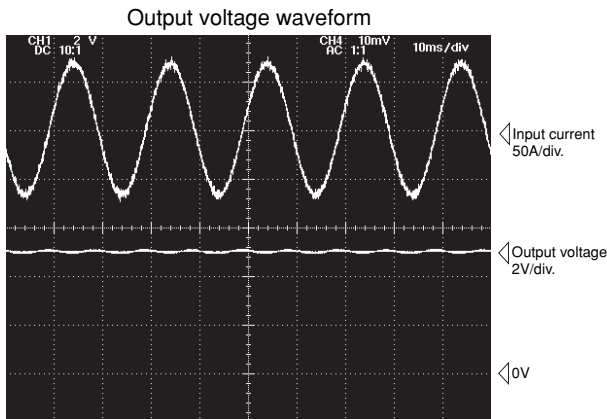
(mm)



Specification Ta=25°C

	Specification
Type	HA-B050-R5
Rated current [If]	50Arms
Frequency	45~65Hz
Rated output voltage	DC+5V at 50/60Hz
Output voltage ratio error	Within ±3% (10~50A at input) at 50/60Hz Within -50% (1A at input) at 50/60Hz
Response time	Within 500ms (Input 0~If Sine wave, Output until 90% point)
Load resistance	RL ≥ 5kΩ
Control power supply	±15V±5%
Consumption current	Within 5mA
Operating Temp.	-10°C~+55°C
Storage Temp.	-20°C~+60°C
Dielectric withstand voltage	2500V AC 1minute
Insulation resistance	Not less than 10MΩ 500V DC
Insulation distance	Not less than 8mm
Others	Cable : VCTF wire 0.2mm ² 4-core L=3000mm Connector : RISE housing 1-13818119-3 (AMP) RISE contact 1318106-1

Characteristics chart HA-B050-R5 Time base: 10ms/div.



Note : The mark "◁" means 0V or 0A.